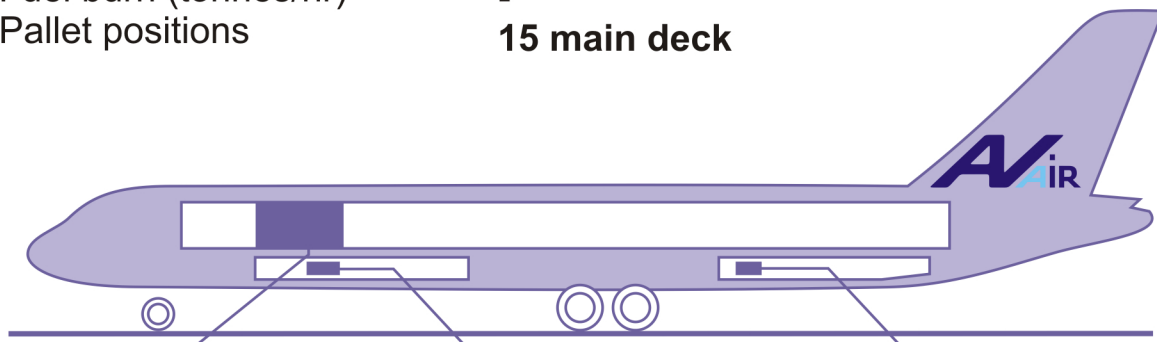


# Boeing 757

## SPECIFICATION

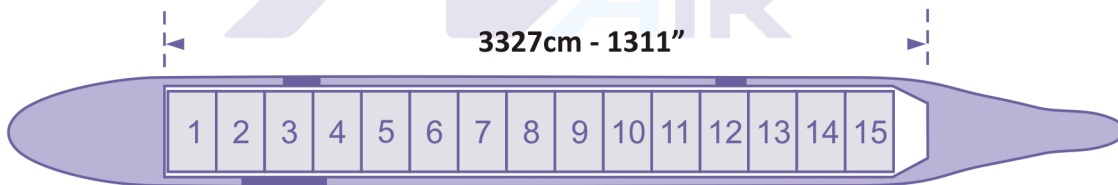
Max load (tonnes)	<b>39</b>
Door size (WxH cm)	<b>340 x 218</b>
Cargo hold (LxWxH cm)	<b>3327 x 353 x 218</b>
Useable volume (cubic m)	<b>187</b>
Runway requirement (m)	<b>2225</b>
Load range (km)	<b>7060</b>
Ferry range (km)	<b>7900</b>
Cruise speed (km/h)	<b>938</b>
Fuel burn (tonnes/hr)	-
Pallet positions	<b>15 main deck</b>



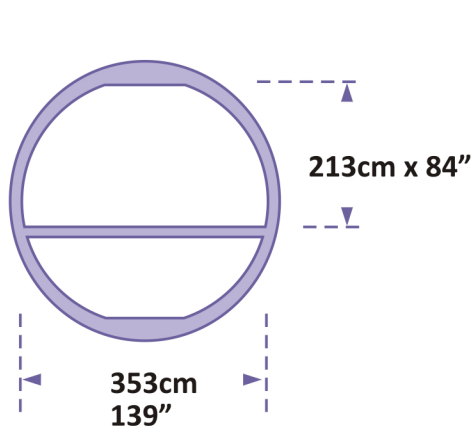
W 340cm x H 220cm  
133"x 86"

W 140cm x H 107cm  
55"x 42"

W 140cm x H 112cm  
55"x 44"

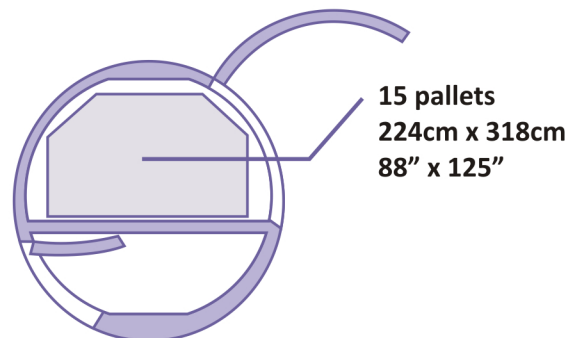


3327cm - 1311"



213cm x 84"

353cm  
139"



15 pallets  
224cm x 318cm  
88" x 125"